

MANUAL FOR INSTALLATION, USE AND MAINTENANCE

BG-PRO



Congratulations!

You have chosen an appliance of the Bodart & Gonay range and we would like to thank you for it. We are convinced that it will bring you warmth and comfort. In order to derive the greatest benefit from your BG-Pro, we greatly stress the importance of following the instructions and recommendations given in this notice.



General

To obtain optimal and safe operation of your BG-PRO, we recommend placing it on a flat solid surface.

BODART & GONAY is responsible for the delivery of the appliance. Installation is the responsibility of the owner and/or installer. The appliance must not be modified, otherwise it is dangerous and the warranty will be void.

A list of our dealers is available on our website www.bgfires.com

Before commissioning your BG-PRO and to ensure its correct use and durability, we recommend that you read this manual carefully to familiarize yourself with its various functions and features.

Before lighting your first fire, make sure there are no materials left in the BG-PRO needed for installation.

The paint is not fully cured and will therefore harden during the first use, releasing smoke and odors. We recommend lighting the first fire very hot.

BG-PRO is designed for use as a fire, not as additional or continuous heating.

User Manuel

Safety

This BG-PRO produces a certain amount of heat. The whole outside of the fire bowl is very hot.

Therefore, make sure that children and the elderly and pets stay far enough away from the BG-PRO so that they cannot reach it and, if necessary, provide protection around the fire bowl.

Never allow children to use the BG-PRO.

Warning

CAUTION: This BG-PRO will become very hot.

Do not use in enclosed spaces!

CAUTION: Do not use alcohol or petrol to light or re-light the fire! Use firelighters that comply with EN 1860-3!

Caution! Leave the BG-PRO out of the reach of children, elderly people and pets.

*Do not use the BG-PRO in enclosed and/or habitable rooms, e.g. houses, caravan tents, campers, boats. Risk of death from carbon monoxide poisoning.



*Wear heat-resistant barbecue gloves (conforming to EN 407, Contact Heat or above) when cooking, adjusting the ventilation flaps and handling the grill grids.

*Use suitable utensils with long, heat-resistant handles.

Lighting a fire

1. Remove excess ash and empty the ash drawer.
2. Place approximately a number of logs in the middle of the BG -PRO on the fire grates, place a number of kindling on the pile thus formed, light it with a lighter.
3. Light the kindling.
4. When the kindling has formed an ember bed (glowing coals), you can place larger logs.
5. Before lighting the fire, wait until a layer of white ash covers the fuel.

The first fire

Before the first firing, the logs should glow for at least 30 minutes to allow the appliance to set properly. It is also best to rub the griddle with olive oil the first 2-3 times with a tea towel over the entire griddle. Olive oil has a lower burning point than other vegetable oils. Afterwards, you can use sunflower oil or peanut oil or other vegetable oils.

Fuel

BG-PRO is designed for burning dry hardwood logs with max 20% moisture content. The moisture content of the wood remains an important factor, we prefer oak or beech or ash wood and be careful with tropical hardwoods as they get very hot and can deform your griddle.

MAINTENANCE BG -PRO

MAINTENANCE

The griddle is made of steel that will rust if you do not maintain it properly. Oil must burn in well and if it is not used for a while, we still recommend that you lubricate it well with a vegetable oil (not cooking oil) on a very regular basis to prevent rusting.

If you use the griddle a lot, a carbon layer may develop. This layer may crack, in which case it is best to remove the flakes with a spatula and re-rub with vegetable oil.

Cleaning

- Follow some basic maintenance instructions to keep your unit in good condition for many years.
- In the BG -PRO, it is recommended to remove the ashes the day after use to avoid the risk of corrosion. The ash will gradually absorb moisture from the air and become corrosive to the paint and steel of the BG -PRO, which can cause rust. Sweep the ash with a soft brush to the ash drawer.
- To avoid burns and property damage, clean the appliance when the ashes are no longer glowing.
- Dispose of the ashes via the ash drawer or via an ash vacuum cleaner.
- Empty the ash drawer regularly.
- Do not use harsh cleaning agents on the appliance as they may damage it.
- The rest of the appliance can be cleaned with a damp cloth.
- Acid rain, chemicals and salt water can cause surface rust.
- Do not use sharp objects or abrasive cleaners to clean the surfaces of your device.
- Clean the inside after use to optimise the device's performance.
- If the paint is damaged in a particular area, touch it up quickly with the spray can of refractory paint provided, after cleaning the area thoroughly with a soft cloth. This reduces the risk of rusting.
- When the BG -PRO is outside in the open air and not in use, cover it with a protective cover to prevent discolouration from UV radiation, moisture and wear, the cover is never completely waterproof though.

INSTALLATION MANUAL

Preparation and installation

Note: Remove all packaging, including straps, before using the product.

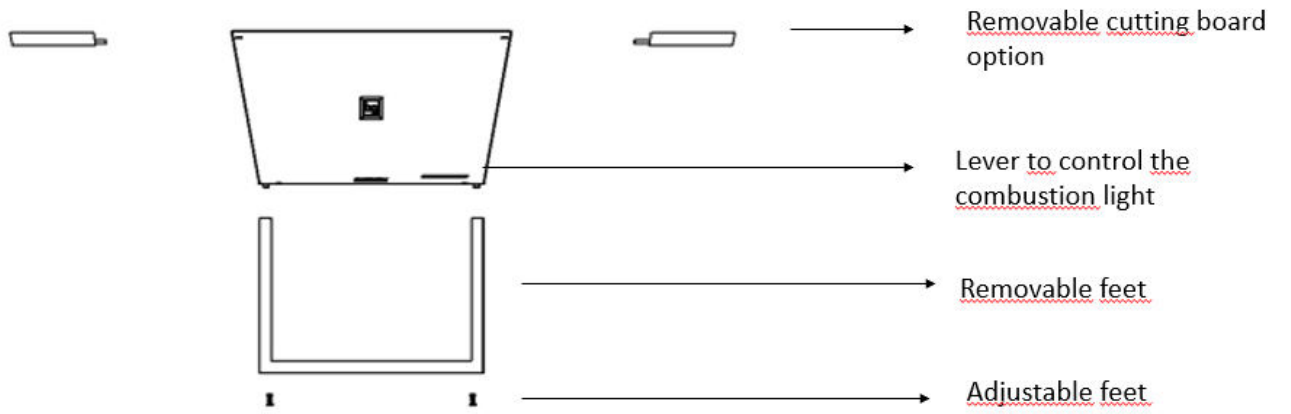
Choose a suitable place to install the BG -PRO:

- Keep the device on a safe and level surface at all times.
- Do not use the device within 1.5 m of flammable materials. Flammable materials include wooden or treated wooden decks, terraces and verandas, flammable liquids and chemicals. There is a risk of damage or ignition from sparks and small embers.
- Although the corrosion is superficial, we cannot guarantee that in the long term the steel will rust, so when it rains it may run off rust water which may cause permanent stains on terraces or wood or other materials. We are not liable for such stains due to corrosion.

First screw down the adjustable feet that the base is stable with an Allen key 4 (see photo).



Plan BG-PRO



GUARANTEE

- 3-year guarantee on structure.
- 3-year guarantee on griddle.

The guarantee applies to manufacturing defects only.

The warranty period starts from the date indicated on the invoice.

The invoice is the only valid proof of warranty.

Extension or replacement of items under warranty does not extend the total warranty period.

The warranty is limited to the simple replacement of elements recognized as defective by our technical service, excluding any compensation for inability to use the BG -PRO. Transport, travel and assembly costs shall be borne by the user.

All warranty cases must be handled by the distributor.

Exclusion

The warranty does not cover damage or defects caused by failure to follow the installation and operating instructions.

The guarantee does not apply in case of poor maintenance of the BG -PRO, accident or disaster due to a cause unrelated to the BG -PRO or in case of repair by an unqualified person.

Paint is not covered by this warranty.

The warranty is not valid in case of internal modifications or changes to the BG -PRO.

Excluded from the warranty are

- The use of unsuitable combustion materials.
- Damage resulting from transport, storage and installation.
- In case of wear and tear, discoloration, corrosion, deformation of parts exposed to fire, you cannot make a warranty claim.
- Damage caused by failure to maintain the appliance, failure to follow operating instructions and safety rules are not covered by the guarantee.
- You accept that wood is a natural product and can work under the influence of weather conditions and humidity. Cracks, cracks, unevenness, bends, splits, caused by the effect of moisture or temperature changes on the wood are not covered by the guarantee.

